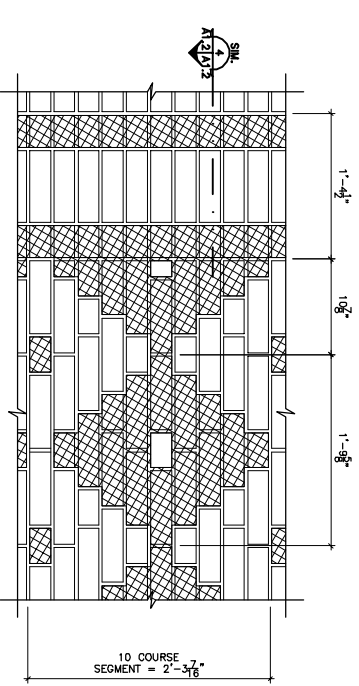


Copyright Reserved
 This Contractor shall verify and be responsible for all dimensions, DO NOT SCALE DRAWINGS.
 Stantec shall not be held responsible for any errors or omissions that are reported to Stantec without delay.
 The Contractor shall be responsible for any errors or omissions that are reported to Stantec without delay.
 The Contractor shall be responsible for any errors or omissions that are reported to Stantec without delay.

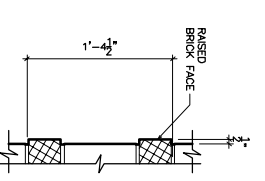
Consultants

Legend

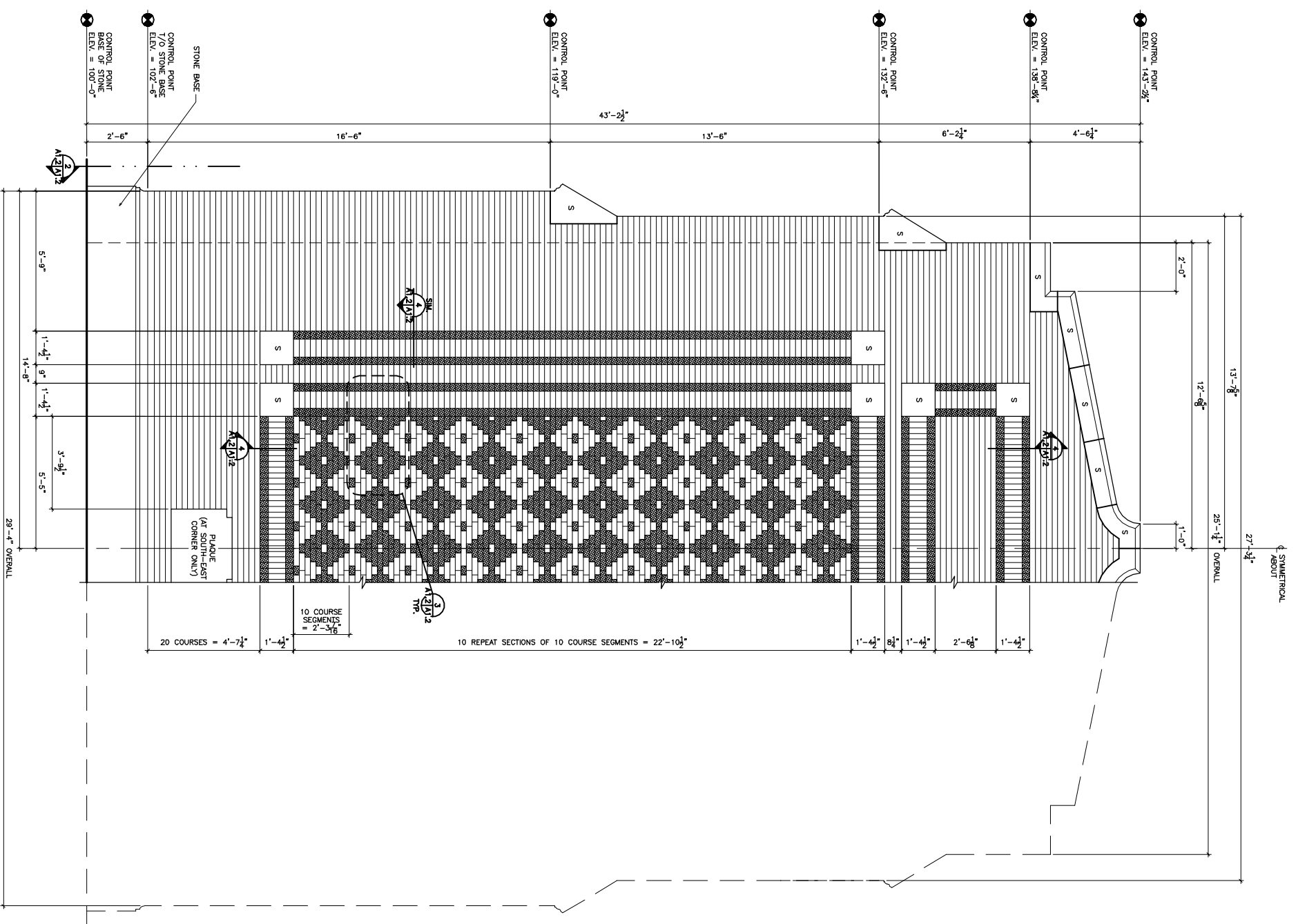
[Hatched Pattern]	INDICATES RED COLORED BRICK
[White Box]	INDICATES BEIGE COLORED BRICK
[Box with 'S']	INDICATES MAN MADE STONE



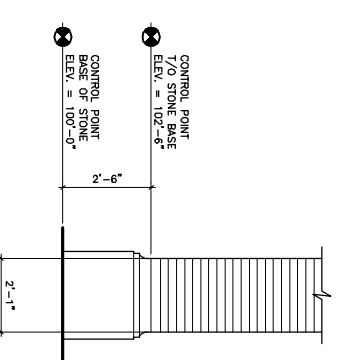
3
 TYPICAL PATTERNED BRICK WALL DETAIL
 1 1/2"x1'-0"



4
 TYPICAL SECTION AT RAISED BRICK FACE
 1 1/2"x1'-0"



1
 PATTERNED BRICK WALL FRONT ELEVATION
 1/2"x1'-0"



2
 PATTERNED BRICK WALL PARTIAL SIDE ELEVATION
 1/2"x1'-0"

Project No.	14-44-02228
Scale	AS SHOWN
Drawing No.	Sheet
Revision	0
Project Name	GATHERCOLE BUILDING MEASURED DRAWINGS
Client	CITY OF SASKATOON
Location	SASKATOON SK CANADA
Project No.	14-44-02228
Scale	AS SHOWN
Drawing No.	Sheet
Revision	0
Project Name	GATHERCOLE BUILDING MEASURED DRAWINGS
Client	CITY OF SASKATOON
Location	SASKATOON SK CANADA